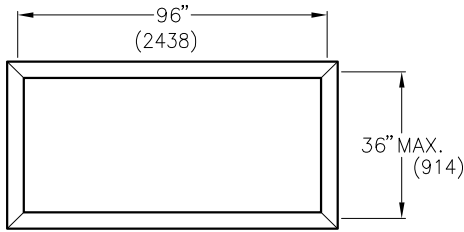
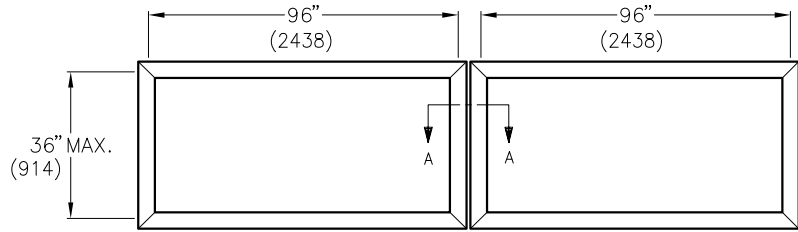


**20,30 AND 60,70 SERIES
ALUMINUM SUPPLY AND RETURN GRILLES**

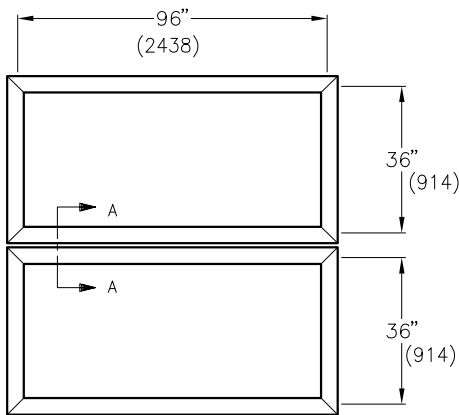
-SINGLE SECTION MAX. SIZE 36" x 96" -
(914 X 2438)



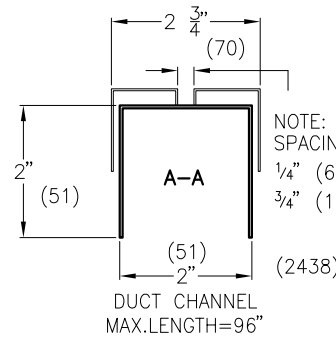
**SINGLE SECTION
MAXIMUM SIZE**



**-LONGITUDINAL MULTIPLE SECTION UNIT-
FOR WIDTHS 21" TO 36" (533 X 914)**



-MULTIPLE SECTION UNIT-

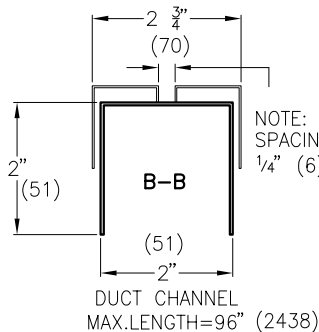


NOTE:
SPACING BETWEEN FRAMES WILL BE:
1/4" (6) FOR 'F' AND 'C' BORDER
3/4" (19) FOR 'N' BORDER

DUCT CHANNEL
MAX.LENGTH=96"

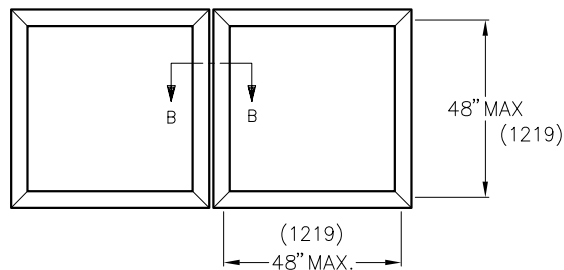
**90, 700, 900 SERIES STEEL GYM GRILLES
AND 150,300 SERIES INDUSTRIAL GRILLES**

-SINGLE SECTION MAX. SIZE 48" x 48" - (1219 X 1219)
EXCEPT FOR 150G, MAX. SIZE IS 48" x 36" (1219 X 914)



NOTE:
SPACING BETWEEN FRAMES WILL BE:
1/4" (6) FOR 'F' BORDER

DUCT CHANNEL
MAX.LENGTH=96" (2438)

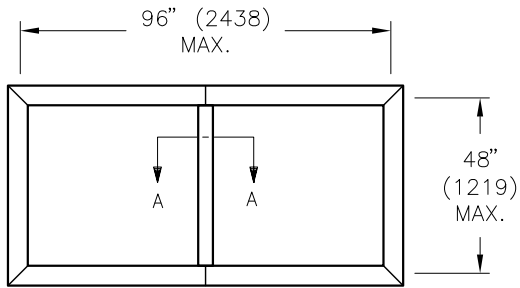


NOTE:

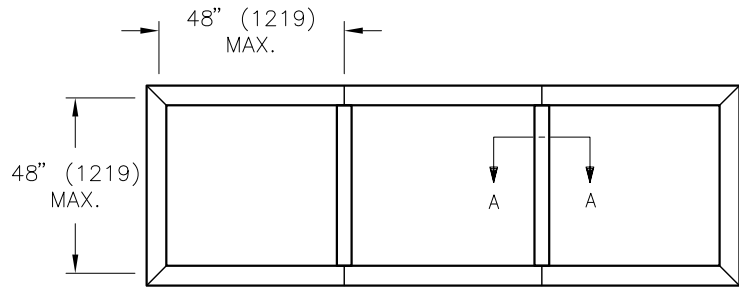
- MOUNTING SCREW HOLES ARE LOCATED PER THE STANDARD SCREW HOLE CHART.
- ABOVE SIZES SHOWN AS NOM. DUCT SIZE.

ALL METRIC DIMENSIONS () ARE SOFT CONVERTED. IMPERIAL DIMENSIONS ARE CONVERTED TO METRIC AND ROUNDED TO THE NEAREST MILLIMETER.

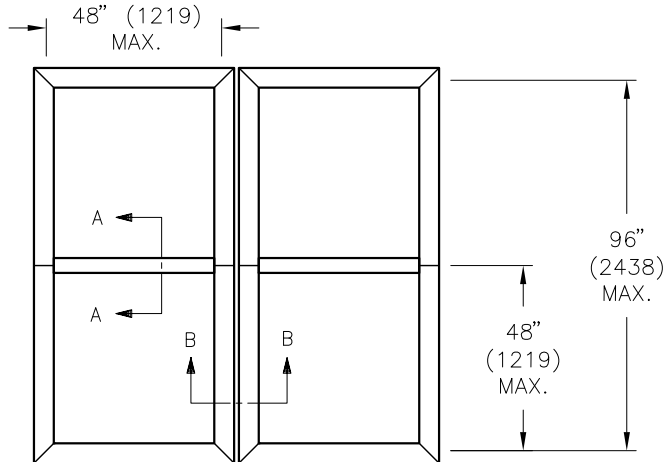
PROJECT:		PRICE [®]	
ENGINEER:		<i>mg</i>	OVERSIZED GRILLE EXTR. ALUM. SUPPLY AND RETURN & STEEL GYM & INDUST. GRILLES
CUSTOMER:		219729	
SUBMITTAL DATE:	SPEC. SYMBOL:	2013/09/19	



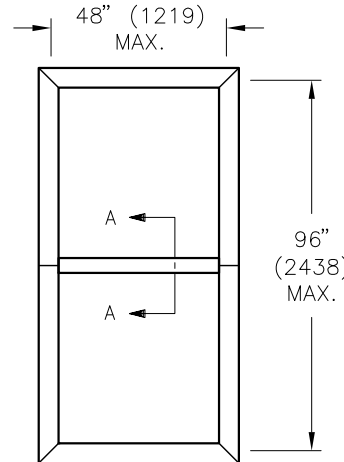
**HORIZONTAL
-TWO SECTION UNIT-**



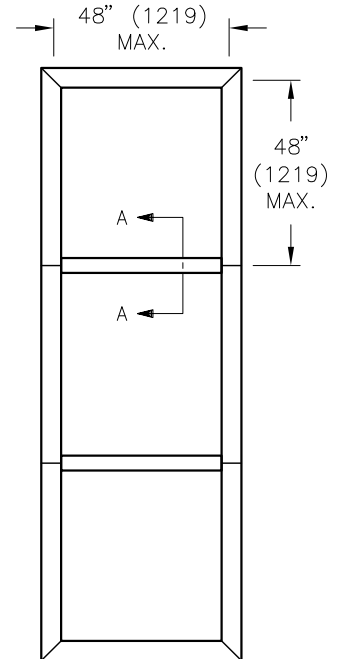
**HORIZONTAL
-MULTIPLE SECTION UNIT-
(THREE OR MORE SECTIONS)**



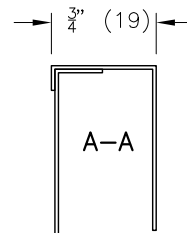
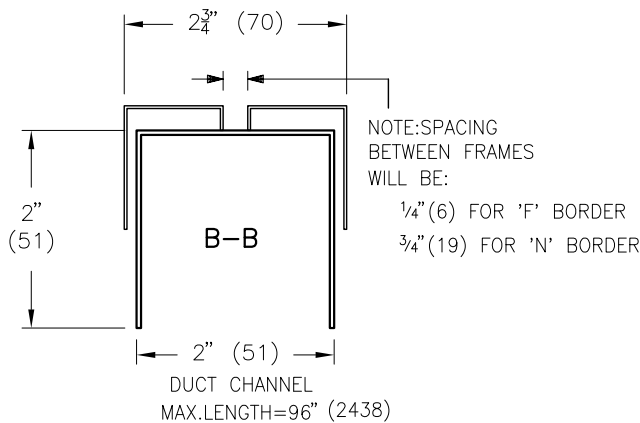
MULTIPLE SECTION IN BOTH DIMENSIONS



**VERTICAL
-TWO SECTION UNIT-**



**VERTICAL
-MULTIPLE SECTION UNIT-
(THREE OR MORE SECTIONS)**



**500/600 SERIES
NARROW FACE MULLION**

NOTE:

- SINGLE SECTION MAXIMUM SIZE IS 48"x48" (1219x1219).
- MOUNTING SCREW HOLES ARE LOCATED PER THE STANDARD SCREW HOLE CHART.
- ABOVE SIZES SHOWN AS NOM. DUCT SIZE.
- NOT APPLICABLE TO MODEL 540 / 640 GRILLES

ALL METRIC DIMENSIONS () ARE SOFT CONVERTED. IMPERIAL DIMENSIONS ARE CONVERTED TO METRIC AND ROUNDED TO THE NEAREST MILLIMETER.

PROJECT:		PRICE [®]	
ENGINEER:			500/600 SERIES OVERSIZED SUPPLY AND RETURN AIR GRILLES
CUSTOMER:			
SUBMITTAL DATE:	SPEC. SYMBOL:	2009/06/09	